

xzense



Smart remote for your fireplace

- in combination with an
Exodraft chimney fan



Your energy. Optimized.

exodraft

Benefits of using Xzense

Full control

Xzense gives you full control of your fireplace and helps you achieve a beautiful "flame picture" and an optimum chimney draught, regardless of external factors such as weather.

Easy to light and add firewood

The Xzense and chimney fan combo makes lighting and refueling your fireplace a breeze.

Less smoke spillage

Xzense helps you reduce the amount of smoke and other unwanted particles that enter our room from the fireplace. 80% reduction of indoor particles.

Better & cleaner combustion

By using Xzense, you achieve a better and cleaner combustion as the optimum air supply to the fireplace is ensured. 20% reduction of outdoor particles.

Faster heating

Due to the improved combustion, your room will warm up faster.

The complete solution



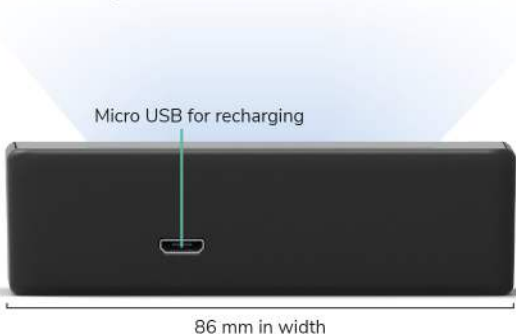


Xzense - makes sense

With an Xzense control (in conjunction with an Exodraft chimney fan system), you obtain full control of your fireplace and maximum comfort.

No more hassle when lighting and refueling your fireplace. With the click of a button, either on the Xzense itself or on your phone (via the dedicated Xzense App), you achieve a perfect "flame picture" in your fireplace. This is regardless of outside temperature, air pressure, wind speed, wind direction and other weather and seasonal factors that influence the chimney draught and thus the workings of the fireplace.

Additional benefits are less smoke spillage, better and cleaner combustion, more efficient fuel economy and faster heating. In other words, Xzense makes sense.





With Xzense, starting a fire in your wood-burning stove is easy and adding more firewood is no problem.

Watch our quick guide videos:
xzense.com/video



Facts about Xzense

Optimised wireless range (18+ metres*)

Achieving a good wireless connectivity range can be a challenge in modern buildings. We have optimised the wireless protocol for Xzense so the signal is better able to penetrate concrete walls and other such obstacles.

* Depending on obstacles

Capacitive touch display

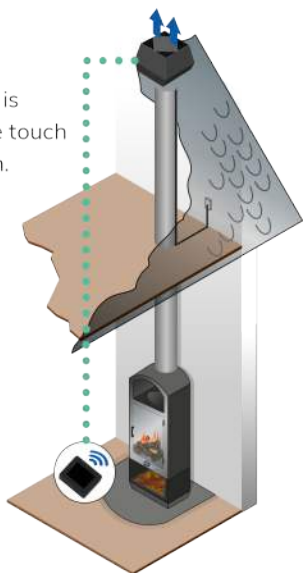
Despite its small form factor, Xzense is equipped with a 2.83-inch capacitive touch display with 320x240 pixel resolution.

Compatible with your fireplace

Xzense can be used with any wood.

Long battery life

On a full charge, Xzense can last up to two months with normal usage. The Li-Po battery is recharged via a standard USB charger with micro USB connection. Operation is possible while charging.



eXotelligence



Self-learning function that helps you adapt to different weather and temperature conditions while reducing particle emission.

eXotelligence is the intelligent operating system that stores data from previous lightings and helps you create the best possible chimney draught by automatically adjusting the speed of the chimney fan based on weather conditions and temperature.

The intelligent, incremental adjustments also help to further reduce particle emission by up to 20%



It used to be difficult to get enough draught in the chimney and get the fire going; now we just press a button on the Xzense.

Connect your phone to Xzense via Bluetooth and use the dedicated Xzense App for iOS or Android to control your fireplace.



On/Off



In combination with an Exodraft chimney fan, Xzense provides:

- Full control of your fireplace at your fingertips
- Easier lighting and refueling of your fireplace
- Less smoke spillage into the room
- Better combustion
- Faster heating

Scan the QR code below to watch demonstration video:



ISO 9001
Management System Certification

BUREAU VERITAS
Certification Denmark A/S



Find us on facebook

Exodraft a/s

Industrivej 10
DK-5550 Langeskov
Tel: +45 7010 2234
Fax: +45 7010 2235
info@exodraft.dk
www.exodraft.com